

Minuteman[®]
Excellence Meets Clean



**Parts and Instruction Manual
Lead Vacuum
Dry Only**

This manual is furnished with each new **MINUTEMAN Lead Vacuum**. This provides the necessary operating and preventive maintenance instructions. Operators must read and understand this manual before operating or servicing this machine.

This machine was designed to give you excellent performance and efficiency. For best results and minimal cost, please follow the general guidelines below:

- Operate the machine with reasonable care.
- Follow the manufacturers suggested maintenance instructions as provided in this booklet.
- Use original Minuteman supplied parts.

TECHNICAL SPECIFICATIONS

Model	<i>Lead Vacuum</i>	
Model No.	C82985-06	C82986-06
Voltage	115V	240V
Tank Size	6 gal (22 ltr)	6 gal (22 ltr)
Power	1.25 HP	1.25 HP
Air Flow	95 CFM	95 CFM
Water Lift	85" (2159 mm)	85" (2159 mm)
Dry Capacity	.46 cu. ft (.013 m ³)	.46 cu. ft (.013 m ³)
Cord	16-3, 50' (15 m)	16-3, 50' (15 m)
Casters	1-5/8" (1.13 cm)	1-5/8" (1.13 cm)
Weight	17 lbs (8 kg)	17 lbs (8 kg)

Table of Contents

IMPORTANT SAFETY INSTRUCTIONS	1
INSPECTION	2
ELECTRICAL	2
115 Volt	2
240 Volt	2
GROUNDING INSTRUCTIONS	2
USER MAINTENANCE INSTRUCTIONS	3
CLOTH BAG & HOSE ASSEMBLY	3
CORD STORAGE	3
Operation and Filter Care Instructions	4
Tank/Filter Set-Up Procedure	4
Procedures In Removing Contaminated Filters and Cleaning of Contaminated Tank	4
Changing The Black Foam Prefilter	5
Filter Assembly	6
Changing Of Prefilters	6
Tools and Accessories	7
Exploded Views	8
Lid Assembly	8
Lid Assembly BOM	9
Tank Assembly	10
Bag Assembly	11
Minuteman International Made Simple Commercial Limited Warranty	12

FOR COMMERCIAL USE ONLY

IMPORTANT SAFETY INSTRUCTIONS

Minuteman
Excellence Meets Clean

When using an electrical appliance, basic precautions should always be followed, including the following:

READ ALL INSTRUCTIONS BEFORE USING

WARNING - To reduce the risk of fire, electric shock, or injury:

- Do not leave appliance when plugged in. Unplug from outlet when not in use and before servicing.
- To avoid electrical shock, do not expose to rain, store indoors.

WARNING:

To reduce the risk of electrical shock - Do not use on wet surfaces. Do not expose to rain. Store indoors.

- Do not allow to be used as a toy. Close attention is necessary when used by or near children.
- Use only as described in this manual. Use only manufacturer's recommended attachments.
- Do not use with damaged cord or plug. If appliance is not working as it should, has been dropped, damaged, left outdoors, or dropped into water, return it to a service center.
- Do not pull or carry by cord, use cord as a handle, close a door on cord, or pull cord around sharp edges or corners. Do not run appliance over cord. Keep cord away from heated surfaces.
- Do not unplug by pulling on cord. To unplug, grasp the plug, not the cord.
- Do not handle plug or appliance with wet hands.
- Do not put any object into openings. Do not use with any opening blocked; keep free of dust, lint, hair, and anything that may reduce air flow.
- Keep hair, loose clothing, fingers, and all parts of body away from openings and moving parts.
- Do not pick up anything that is burning or smoking, such as cigarettes, matches, or hot ashes.
- Do not use without dustbag and/or filters in place.
- Turn off all controls before unplugging.
- Use extra care when cleaning on stairs.
- Do not use to pick up flammable or combustible liquids such as gasoline or use in areas where they may be present.
- Connect to a properly grounded outlet only. See grounding instructions.

SAVE THESE INSTRUCTIONS

INSPECTION

Carefully unpack and inspect your machine for shipping damage. Each unit is tested and thoroughly inspected before shipment, and any damage is the responsibility of the delivery carrier who should be notified immediately.

ELECTRICAL - 115 Volt

This machine is designed to operate on a standard 15 amp, 115 volt, 60 hz, AC circuit. Voltages below 105 volts AC or above 125 volts AC could cause serious damage to the motor.

ELECTRICAL - 240 Volt

This machine is designed to operate on a standard 10 amp, 230 volt, 50 hz, AC circuit.

WARNING

Electric motors can cause explosions when operated near explosive materials or vapors. Do not operate this machine near flammable materials such as solvents, thinners, fuels, grain dust, etc.

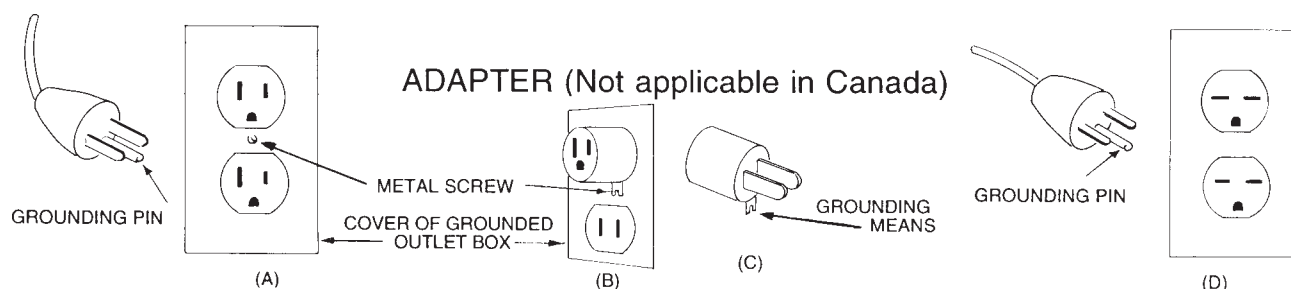
GROUNDING INSTRUCTIONS

This appliance must be grounded. If it should malfunction or breakdown, grounding provides a path of least resistance for electric current to reduce the risk of electric shock. This appliance is equipped with a cord having an equipment-grounding conductor and grounding plug. The plug must be plugged into an appropriate outlet that is properly installed and grounded in accordance with all local codes and ordinances.

DANGER

Improper connection of the equipment-grounding conductor can result in a risk of electric shock. Check with a qualified electrician or service person if you are in doubt as to whether the outlet is properly grounded. Do not modify the plug provided with the appliance — if it will not fit the outlet, have a proper outlet installed by a qualified electrician.

This machine is for use on a nominal 120 volt circuit and has a grounding plug that looks like the plug illustrated in Sketch A. Make sure that the machine is connected to an outlet having the same configuration as the plug. No adapter should be used with this appliance.



WARNING

This vacuum may contain potentially hazardous dust depending on its application. Special handling of contaminated disposal bags and filters is recommended. Disposal must be in compliance with local EPA regulations

USER MAINTENANCE INSTRUCTIONS

All service and repair should be performed by qualified vacuum service representative or electrician. No user serviceable components are employed in the electrical vacuum lid head assembly. No lubrication of the motor is required.

CLOTH BAG & HOSE ASSEMBLY

Cloth bag and hose assembly are user maintenance items and can be replaced when worn out. For optimum performance, empty and clean filter bag regularly. A clogged and dirty bag restricts the flow of air and results in reduced vacuum. The hose assembly can be maintained by wiping off with a dampened cloth of mild liquid soap and water, then allowed to dry.

CORD STORAGE

While not in use storage can be accomplished by winding cord around motor lid assembly. Cord should be completely unwound from lid assembly during operation.

- Do not use with damaged cord or plug. If appliance is not working as it should, has been dropped, damaged, left outdoors, or dropped into water, return to service center.
- Do not pull or carry by cord, use cord as handle, close a door on cord, or pull cord around sharp edges or corners. Do not run appliance over cord. Keep cord away from heated surfaces.
- Do not unplug by pulling cord. To unplug, grasp the plug, not the cord.
- Do not handle plug or appliance with wet hands.
- Always unplug the machine when removing the motor head off the tank. This equipment should be stored indoors and not exposed to rain.

Always unplug the machine when removing the motor head off the tank. This equipment should be stored indoors and not exposed to rain.

Operation and Filter Care Instructions

The Minuteman Lead Vacuum has been specifically designed to clean up lead dust. Special filters reduce the incidence of airborne dust that would be created by any other method of cleaning.

- During the removal of hazardous dust, do not sweep, scoop, shovel, or in any manner handle other than by vacuuming.
- Do not at any time attempt to bypass, remove, substitute or by any other means change the filters used in this vacuum.
- Use only approved Minuteman Lead Vacuum filters and filter bags.
- Before attempting to use and before cleaning, be certain that you fully understand the instructions given for the setting up or cleaning/changing of filters of this vacuum.

The following instructions include the use of an optional paper filter protector (P.N. 761177PKG).

Tank/Filter Set-Up Procedure (Refer to Filter Assembly)

Each facility has its own individual and unique cleaning problems, it is suggested that you use the following:

1. Take the paper bag that has the cardboard collar attached and open it up by gently pulling the folds apart.
2. You will notice two creases on the top side of the collar; carefully bend the ends down (toward) the bag.
3. Insert this bag into the tank and push it to the bottom.
4. Locate the cardboard collar around the intake tube and gently work it up past the raised ring that runs around the tube.
5. Starting at the bottom of the cloth filter, slip the paper filter protector over the entire cloth filter until the elastic band on the paper filter protector goes around the black plastic frame of the cloth filter.
6. Ensure that the inside steel frame that supports the cloth filter is inserted into the tank with the cut out section facing the front of the down tube. Then insert the cloth filter and paper filter protector inside the tank. Be careful not to rip the paper filter protector when pushing the cloth filter with steel frame into the tank.
7. Position the lid onto the tank, making sure that the paper filter elastic is inside the cloth filter frame so that the U.L.P.A. filter will go down inside the cloth filter. Make sure that the motor lid is seated onto the ring of the cloth filter frame completely around the tank.
8. Snap the lid latches into place.

For proper cleaning of the tank and removal/changing of the filters, see “**Procedures in Removing Contaminated Filters and Cleaning of Contaminated Tank.**”

Procedures In Removing Contaminated Filters and Cleaning of Contaminated Tank

Always wear a facemask and gloves when conducting this procedure.

1. Unplug the machine from the power source.
2. Carefully and slowly unlatch the tank latches and remove the vacuum lid only (be sure when you lift up on the lid that the cloth filter stays inside the tank.) Set the lid with U.L.P.A. filter assembly aside.
3. Gently remove the cloth and paper filter protector from the tank. Carefully place the paper and cloth filter into a plastic bag. With one hand grab the bottom of the paper filter protector through the plastic bag and with the other hand release the elastic band from around the cloth filter frame. Slide the cloth filter out of the paper bag. Set the cloth filter and frame aside.
4. Before closing up the plastic bag with the used paper filter inside, check the prefilter attached to the U.L.P.A. filter for any noticeable dirt. The prefilter should be changed every other time you change the paper filter or if any dirt particles are noticed during inspection. Then the used prefilter can also be put into the plastic bag before sealing up for disposal. See “**Changing the Black Foam Prefilter**”, for more information.
5. Carefully surround the paper debris bag with a plastic bag. Pull the opening of the plastic bag securely around the down tube with one hand. Make sure the plastic bag completely encapsulates the debris bag. Push downward on the debris bag on the debris bag’s cardboard collar until it slips off of the downtube.

(Continued on next page)

(Cont'd) Procedures In Removing Contaminated Filters and Cleaning of Contaminated Tank

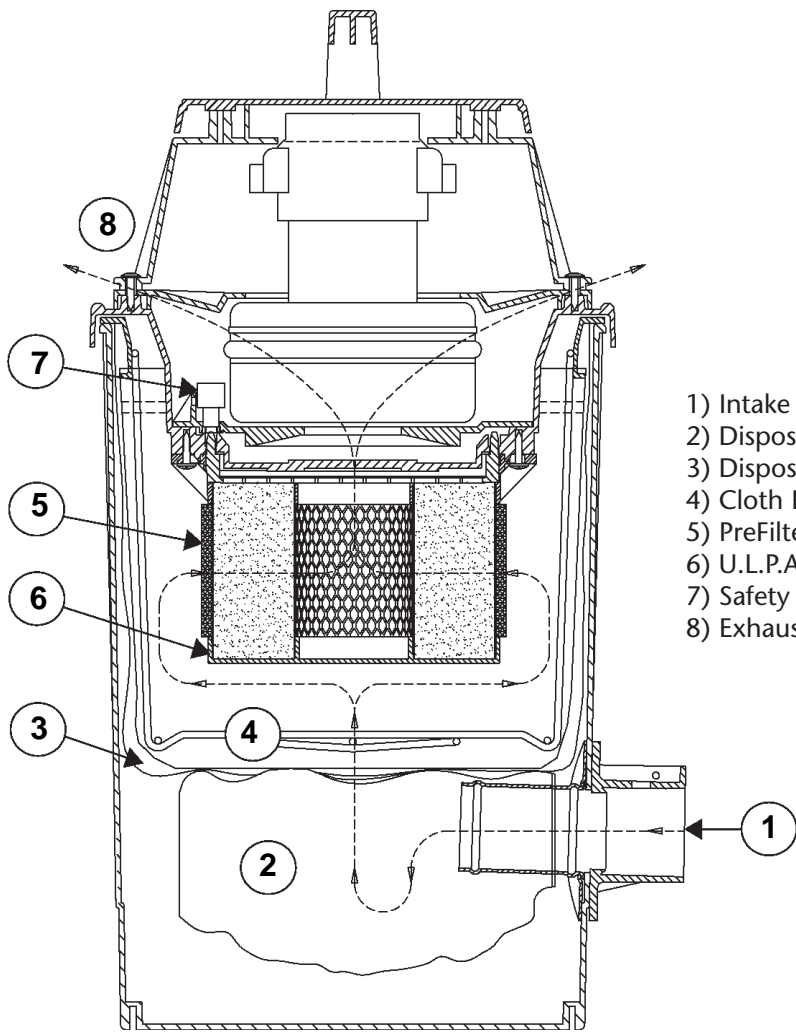
6. Slowly pull the top of the plastic bag upwards. When you have the plastic bag fully extended upwards, slowly squeeze the plastic bag closed to avoid trapping excess air. Twist the plastic bag until enough plastic can be tied into a knot.
7. Lift the bag out of the tank and dispose of it properly.
8. Before inserting another paper debris bag, take a wet paper towel and wipe out the inside of the tank of any dirt contaminate. Put this inside the plastic bag along with the used paper filter protector and prefilter. This plastic bag should also be twisted shut, tied into a knot and disposed of properly.
9. To help prolong the life of the U.L.P.A. filter, a spare cloth filter should be interchanged with the existing cloth filter. Vacuum out when there is any noticeable dirt or soil. The cloth bag can also be sprayed with a garden hose from the inside out to remove any soil. Make sure that the cloth filter is completely dry before reinstalling it into the vacuum.
10. CAUTION: Any hazardous materials must be disposed of properly. Never throw contaminated debris into you usual trash receptacle. Place debris in a plastic bag or can marked "Hazardous Materials" and take to a hazardous waste handler.
11. For proper assembly of new filters, see **"Tank Filter Set Up Procedures."**

Changing The Black Foam Prefilter

The prefilter should be changed, using all of the precautions previously mentioned.

The prefilter should be changed when any of the following takes place:

1. Anytime there is an indication of a filter tear during normal operation of the unit. This tear could be in any of the filters used.
 - a. paper dust containment bag
 - b. paper bag protector
 - c. cloth filter bagThese tears would show up during the tank clean-out procedure, or....
2. Every other tank clean-out period. To change the prefilter, do the following before you do Step #3 of the normal clean-out procedure.
 - a. Wipe down all of the exposed surfaces on the underside of the removed lid, using the dampened wiping cloth.
 - b. Remove the prefilter from the U.L.P.A. filter. Be careful so as not to damage or puncture the U.L.P.A. media used in the final filter. Do not attempt to clean the prefilter in any way; dispose of by placing it into the tank you are now in the process of cleaning. **DO NOT USE ANY TOOLS TO REMOVE THE PREFILTER.**
 - d. Before proceeding any further in cleaning the tank, first place a new prefilter (one only) onto the U.L.P.A. filter.






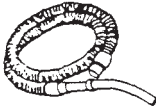
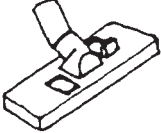



- 1) Intake
- 2) Disposable Paper Collector Bag, 384003PKG (10/pkg)
- 3) Disposable Paper Filter Protector, 761177PKG (10/pkg) (Optional)
- 4) Cloth Filter w/Frame
- 5) PreFilter
- 6) U.L.P.A. Filter
- 7) Safety Interlock
- 8) Exhaust

Changing Of Prefilters

In order to prolong the efficiency and performance of the critical filter it is recommended that each pre-filter, debris bag and paper filter protector be changed every time the debris bag is full. Change the foam prefilter every second time or if a bag breaks or tears. Follow the manual for bag replacement.

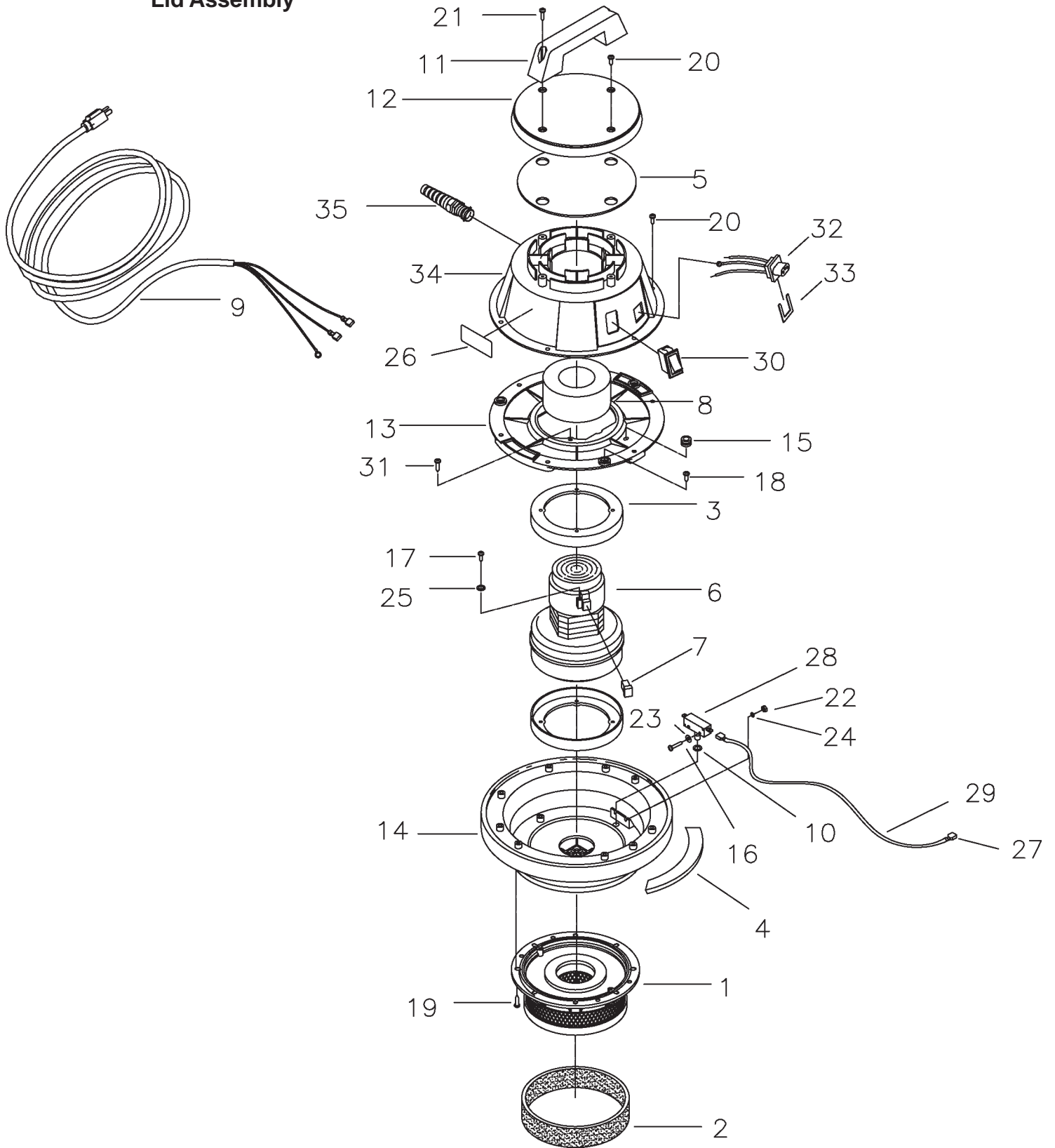
Whenever the vacuum is in operation or being emptied, the operator should be wearing protective clothing and respirator for protection.

All used pre-filters and debris bags should be handled and disposed of in accordance with federal E.P.A. regulations.

		Part No.	Description
A		829563	Dust Brush Complete
B		829562	Crevice Tool 1 1/4" (32 mm)
C		829565MCH	Telescoping Wand Tube
D		829849 390013 762241 829566	Hose Asy 1 1/4" x 8' (32 mm x 2.4 m) Hose Cuff Hose Curved Hand Tool
E		829561	Combination Floor Tool
F		829564	Upholstery Tool
G		384003PKG	Disposable Paper Replacement Filter Bags Package of 10
H		761177PKG	Disposable Paper Filter Protector Package of 10 (Optional)

Exploded Views

Lid Assembly



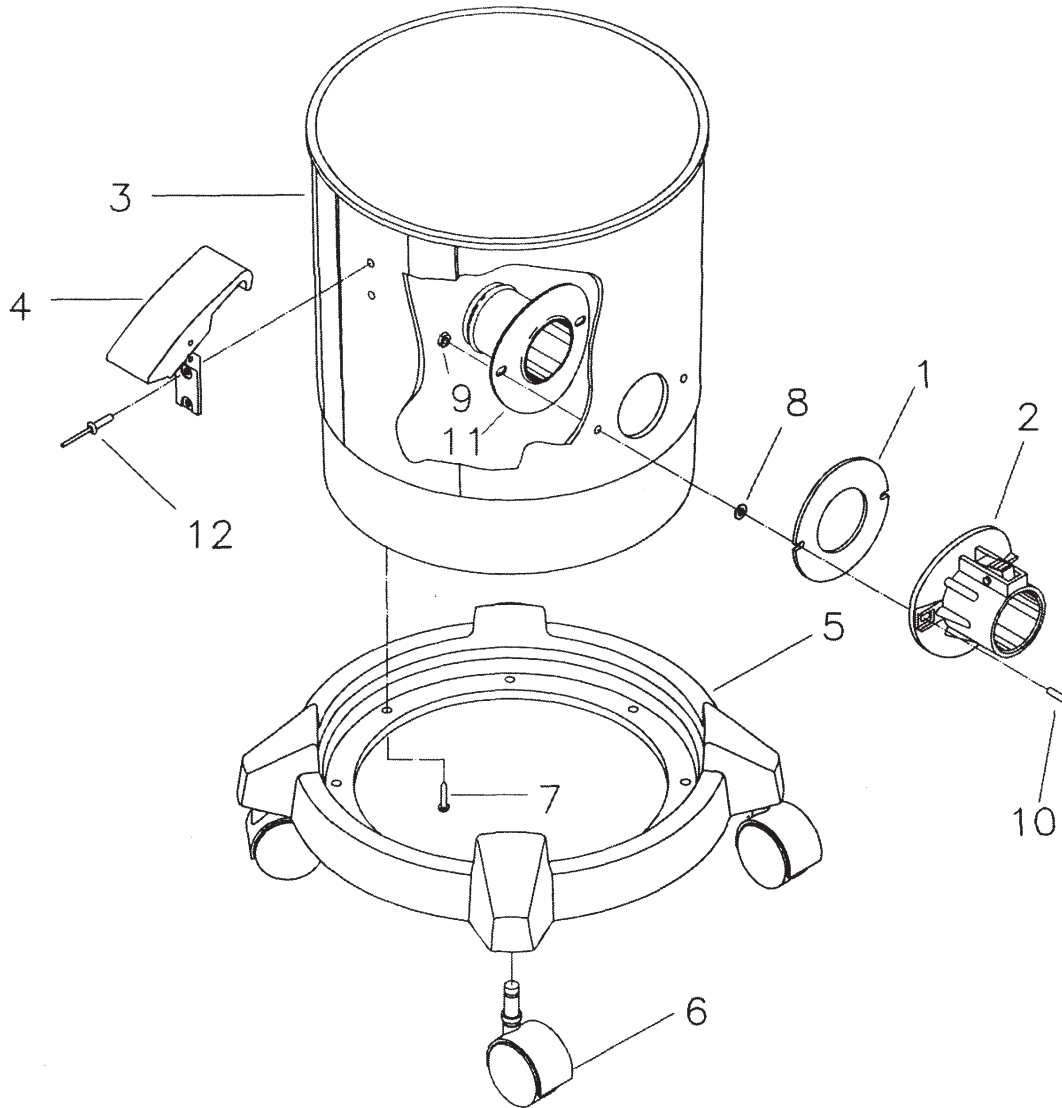
Lid Assembly BOM

Item	Part No.	Qty.	Description
1	110029	1	Filter-ULPA, X829 Series
2	110030PKG	1	Prefilter Sleeve, 829/839, Pkg of 6
3	290017	2	Molded Vac Mtr Gasket
4	290031	1	Lid Gasket 294/6 Diecut
5	290032	1	Dome Seal 296
6	380001-4	1	Vac Motor 120V (ECM) w/ Wires
6A	380054	1	Vac Motor 240V
7	380005	2	Carbon Brush Replacement (ECM)
7A	380028	2	Carbon Brush Replacement
8	380064	1	Foam Ring
9	381020	1	Cord 16GA-3 50FT Med Grey
9A	740083	1	Cord F2 G1.5 MM 40FT
10	390062	1	O-Ring-Valve Seat Body
11	460001	1	Handle Basic 460 Black
12	460101	1	Motor Cap Black
13	460104MCH	1	Mtr Holdown 829 Series
14	460120	1	Motor Pan Assy 829 Series
15	700287	1	Grommet
16	710307	2	SCR-MC 6/32 x 1 ZINC
17	711124	1	SCR-ST-B 10 x .37 NI
18	711125	3	SCR-ST-B 10 x .5 NI
19	711160	9	SCR Hi/Lo #10 x 5/8 ZINC
20	711161	8	SCR Hi/Lo #10 x 3/4 ZINC
21	711162	2	SCR Hi/Lo #10 x 1 1/2 ZINC
22	711301	2	Nut-HEX 6/32 ST PL
23	711502	2	WSR-Flat #8
24	711551	2	WSR-Internal Lock #6
25	711553	1	WSR-Internal Lock #10
26	715009	1	Decal Warning to Avoid
27	740014	4	Term 14-16G 1/4 Full Ins Female
28	740029	1	Switch Snap SP ST PB NO/NC
29	740938	1	Wire Assy 16G Black 14.00"
30	809754	1	Switch Rocker
31	828893	1	Rivet-BAP KTR64BX
32	831801	1	Receptical
33	831801-1	1	Receptical Clip
34	832201	1	Motor Lid Cover 294 Dry
35	833237	1	Strain Relief w/Nut
***	829117	1	Lid Assembly Comp Leadvac 115V
***	829220	1	Lid Assembly Comp 230V

WARNING

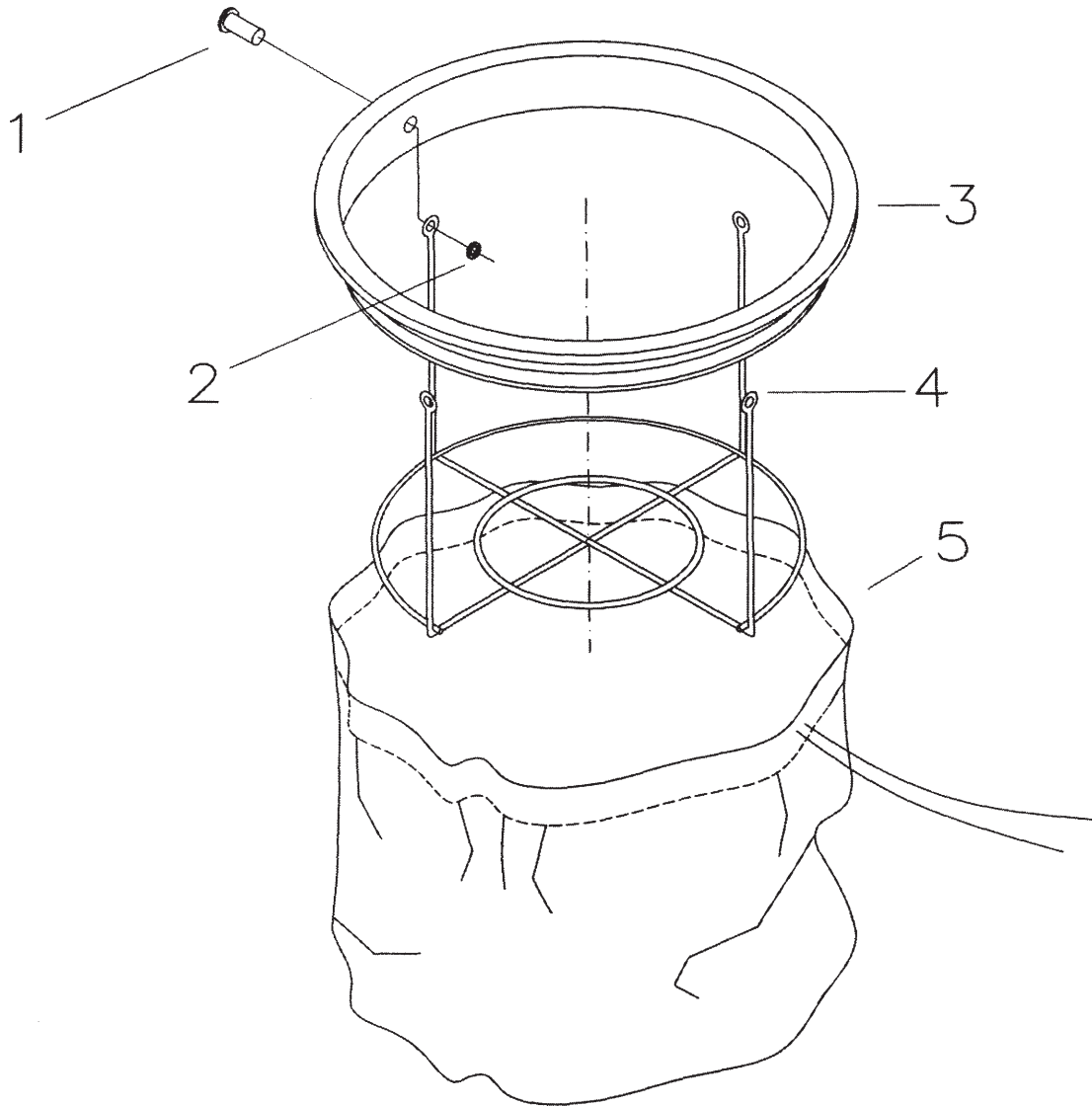
This vacuum may contain potentially hazardous dust depending on its application. Special handling of contaminated disposal bags and filters is recommended. Disposal must be in compliance with local EPA regulations

Tank Assembly



Item	Part No.	Qty.	Description
1	390087	1	Gasket Diecut VNN
2	390110	1	Intake Assembly Aluminum
3	460109	1	Tank 6 Gal Low Intake
4	460114	2	Latch Poly Tank
5	460115	1	Dolly, Plast Vac Tnk Blk
6	460118	4	Caster
7	711160	4	SCR Hi/Lo #10 x 5/8 Zinc
8	712320	2	WSR .22 x .45 x .048 NYL
9	712638	2	Nut Hex 10-24 SS Nyloc
10	712824	2	SCR-MC 10-24 x .75 TRUSS HD ST
11	750118	1	Intake Assy Tube 4/6 Gal
12	828893	4	Rivet-BAP KTR64BX
***	290010	1	Tank Asy 6 GIM LI IT

Bag Assembly



Item	Part No.	Qty.	Description
1	711909	4	Rivet Pop .19x.44 AL
2	712764	4	Washer #10 SS
3	760244MCH	1	Plastic Bag Frame w/Hole
4	760406PLT	1	Bag Frame 6 gal Plated
5	805040	1	Bag, Cloth Bag Only 6G
***	800056	1	Bag Asy w/Frame 6gal

Minuteman International Made Simple Commercial Limited Warranty

Minuteman International, Inc. warrants to the original purchaser/user that the product is free from defects in workmanship and materials under normal use. Minuteman will, at its option, repair or replace without charge, parts that fail under normal use and service when operated and maintained in accordance with the applicable operation and instruction manuals. All warranty claims must be submitted through and approved by factory authorized repair stations.

This warranty does not apply to normal wear, or to items whose life is dependent on their use and care, such as belts, cords, switches, hoses, rubber parts, electrical motor components or adjustments. Parts not manufactured by Minuteman are covered by and subject to the warranties and/or guarantees of their manufacturers. Please contact Minuteman for procedures in warranty claims against these manufacturers.

Special warning to purchaser -- Use of replacement filters and/or prefilters not manufactured by Minuteman or its designated licensees, will void all warranties expressed or implied. A potential health hazard exists without original equipment replacement.

All warranted items become the sole property of Minuteman or its original manufacturer, whichever the case may be.

Minuteman disclaims any implied warranty, including the warranty of merchantability and the warranty of fitness for a particular purpose. Minuteman assumes no responsibility for any special, incidental or consequential damages.

This limited warranty is applicable only in the U.S.A. and Canada, and is extended only to the original user/purchaser of this product. Customers outside the U.S.A. and Canada should contact their local distributor for export warranty policies. Minuteman is not responsible for costs or repairs performed by persons other than those specifically authorized by Minuteman. This warranty does not apply to damage from transportation, alterations by unauthorized persons, misuse or abuse of the equipment, use of non-compatible chemicals, or damage to property, or loss of income due to malfunctions of the product.

If a difficulty develops with this machine, you should contact the dealer from whom it was purchased.

This warranty gives you specific legal rights, and you may have other rights which vary from state to state. Some states do not allow the exclusion or limitation of special, incidental or consequential damages, or limitations on how long an implied warranty lasts, so the above exclusions and limitations may not apply to you.

Cord Electric Group..... Three years parts, two years labor, ninety days travel (Not to exceed two hours)
Exceptions..... Port-A-Scrub, one year parts, six months labor
MPV 13, one year parts
MPV 14 and 18, two years parts, one year labor
RapidAir blower, one year parts, one year labor
Explosion-Proof Vacuum, one year parts, one year labor
Pneumatic Vacuums, three years parts, one year labor

Battery Operated Group..... Three years parts, two years labor, ninety days travel
(Not to exceed two hours)
Exceptions..... Sweepers, one year parts, one year labor, ninety days travel
(Not to exceed two hours)

Internal Combustion Group....One year parts, one year labor, ninety day travel
(Not to exceed two hours)

Replacement Parts.....Ninety days
Batteries.....0-3 months replacement, 4-12 months pro-rate
Polypropylene Plastic Tanks...Ten years, no additional labor